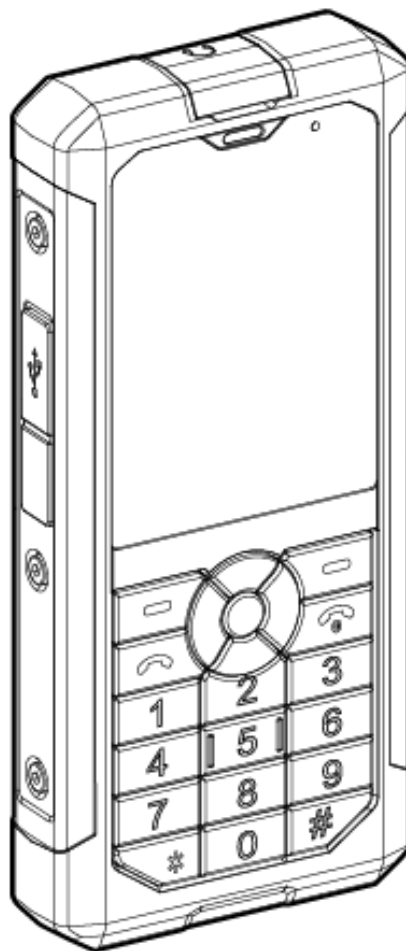


Cat® B100 Phone User manual



Please Read Before Proceeding Safety Precautions

Please read the safety precautions carefully to ensure the correct use of your mobile phone.

Despite the nature of this rugged device, avoid hitting, throwing, dropping, crushing, bending, and puncturing your mobile phone.

Avoid using your mobile phone in a damp environment, such as the bathroom. Prevent your mobile phone from being intentionally soaked or washed in liquid.

Do not switch on your mobile phone when it is prohibited to use phones or when the phone may cause interference or danger.

Do not use your mobile phone while driving.

Follow any rules or regulations in hospitals and health care facilities. Switch off your mobile phone near medical equipment.

Switch off your mobile phone in aircraft. The phone may cause interference to control equipment of the aircraft.

Switch off your mobile phone near high-precision electronic devices. The phone may affect the performance of these devices.

Do not attempt to disassemble your mobile phone or its accessories. Only qualified personnel are allowed to service or repair the phone.

Do not place your mobile phone or its accessories in containers with a strong electromagnetic field.

Do not place magnetic storage media near your mobile phone. Radiation from the phone may erase the information stored on them.

Do not put your mobile phone in a high-temperature place or use it in a place with flammable gas such as a gas station.

Keep your mobile phone and its accessories away from young children. Do not allow children to use your mobile phone without guidance.

Use only approved batteries and chargers to avoid the risk of explosions. Observe any laws or regulations on the use of wireless devices. Respect others' privacy and legal rights when using your wireless device.

Do not use the mobile phone in airplanes, hospitals, gas stations, or professional garages.

For medical implant patients (heart, insulin, etc.), keep the mobile phone 15cm away from the implant and, while calling, keep the phone on the opposite side of the implant.

Strictly follow the relevant instructions of this manual while using the USB cable. Otherwise, your mobile phone or PC may be damaged.

Legal Notice



www.cat.com / www.caterpillar.com

© 2014 Caterpillar. All Rights Reserved. CAT, CATERPILLAR, BUILT FOR IT, their respective logos, “Caterpillar Yellow”, the “Power Edge” trade dress as well as corporate and product identity used herein, are trademarks of Caterpillar and may not be used without permission.

No part of this document may be reproduced or transmitted in any form or by any means without prior written consent of Caterpillar, Inc.

The product described in this manual may include copyrighted software and possible licensors. Customers shall not in any manner reproduce, distribute, modify, decompile, disassemble, decrypt, extract, reverse engineer, lease, assign, or sublicense the said software or hardware, unless such restrictions are prohibited by applicable laws or such actions are approved by respective copyright holders under licenses.

Notice

Some features of the product and its accessories described herein rely on the software installed, capacities and settings of the local network, and may not be activated or may be limited by local network operators or network service providers. Thus, the descriptions herein may not exactly match the product or its accessories you purchase.

The manufacturer reserves the right to change or modify any information or specifications contained in this manual without prior notice or obligation.

The manufacturer is not responsible for the legitimacy and quality of any products that you upload or download through this mobile phone, including but not limited to the text, pictures, music, movies, and non-built-in software with copyright protection. Any consequences arising from the installation or usage of the preceding products on this mobile phone shall be your responsibility.

Warnings

This device is certified to Ingress Protection rating of IP67 for dust and water immersion. It meets Military Standard MilSpec 810G for temperature extremes, salt mist, thermal shock, vibration and drop test up to 1.8M onto concrete.

To ensure the device will meet this level of protection, the port covers (USB and Headphone) must be securely in place, and the rear cover properly fitted and locked.

The device is designed to get wet, but it is not designed to be submerged for prolonged periods. Water damage that occurs as a result of these covers not being fitted securely will not be covered by the warranty.

This device is durable in design, but it is not indestructible. It is drop tested to 1.8 meters so it will be protected against accidental drops during normal use. Deliberate abuse of the device may cause damage and invalidate the warranty.

Warranty Information

Terms and Conditions of warranty are available at www.catphones.com.

Two-Year Limited Warranty Summary: Cat Phone warrants that at the time of original purchase, the hardware product and accessories are free of defects in design, material, and workmanship. The warranty shall last for twenty-four (24) months from the date of original purchase for mobile devices, and twelve (12) months for accessories (whether included in the mobile device sales package or sold separately).

The contents of this manual are provided “as is.” Except as required by applicable laws, no warranties of any kind, either express or implied, including but not limited to, the implied warranties of merchantability and fitness for a particular purpose, are made in relation to the accuracy, reliability or contents of this manual.

To the maximum extent permitted by applicable law, in no case shall the manufacturer be liable for any special, incidental, indirect, or consequential damages, or lost profits, business, revenue, data, goodwill or anticipated savings.

Import and Export Regulations

Customers shall comply with all applicable export or import laws and regulations and will obtain all necessary governmental permits and licenses in order to export, re-export, or import the product mentioned in this manual including the software and technical data therein.

Contents

Welcome to the Cat B100 Phone	8
Features.....	8
Getting to Know Your Mobile Phone	9
Key Functions	10
Getting Started with Your Mobile Phone	11
Inserting the SIM and Battery	11
Charging the Battery	12
Powering On or Off Your Mobile Phone.....	13
Protecting Your Mobile Phone.....	13
Using the Flight Mode	13
Accessing Applications.....	14
Making and Receiving Calls	14
Sending Messages.....	14
Getting to Know the Main Screen.....	14
Phone	16
Making a Call	16
Answering or Rejecting a Call	16
Other Operations During a Call	16
Using the Call Center	17
Phonebook/Names	19
Adding a New Contact.....	19
Viewing and Editing a Contact.....	19
Deleting a Contact.....	19
Phonebook Settings	19
Messaging	20
Creating and Sending a Text Message (SMS)	20
Creating and Sending a Multimedia Message (MMS)	20
Opening and Viewing a Multimedia Message.....	20
Replying to a Message.....	20
Customizing the Message Settings.....	20
Email	21
Creating an Initial Email Account.....	21
Viewing an Email Message.....	21

Creating and Sending an Email Message.....	21
Replying to an Email Message	21
Deleting an Email Account	21
Changing Email Account Settings	22
Getting Connected.....	22
Browser.....	22
Bluetooth.....	23
Multimedia.....	26
Taking Photos and Recording Videos.....	26
Enjoying Music	27
Listening to FM Radio	27
Fun and Games.....	28
Using Maps.....	28
Enabling Location.....	28
Opening Maps.....	28
Searching for Places of Interest	29
Getting Directions	29
Using Other Applications	30
Using the Calendar	30
Setting the Alarm.....	30
Using the Calculator	30
Using the File Manager	31
Managing Your Mobile Phone.....	32
Setting the Date and Time	32
Setting the Display.....	32
Setting Phone Ringtone.....	32
Setting Phone Services.....	33
Ways to Free Up Your Mobile Phone Memory	33
Resetting Your Mobile Phone	33
Specifications	34
Appendix.....	36
Warnings and Precautions	36
Accessories	37
Cleaning and Maintenance	38
Emergency Call.....	39

FCC Statement	39
RF Exposure Information (SAR).....	40
Prevention of Hearing Loss	43
Declaration of Conformity	44
CE SAR Compliance.....	45
Disposal and Recycling Information	46

Welcome to the Cat B100 Phone

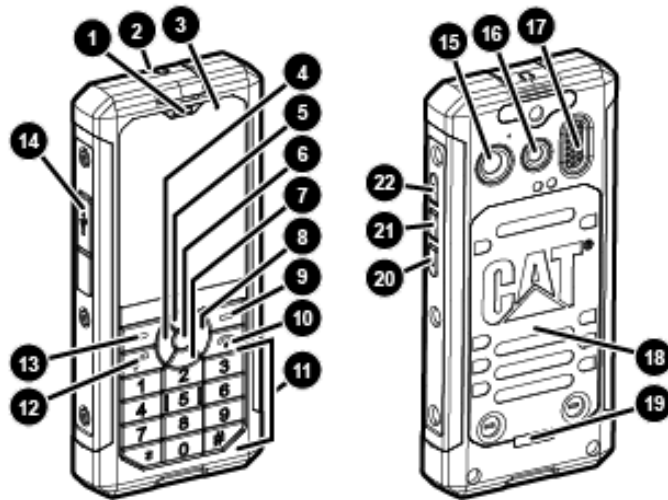
The B100 is waterproof, dustproof, and rugged enough to withstand a drop of 1.8M onto a hard surface. It is equipped with a noise canceling microphone and a loud high-quality speaker. As well as being a rugged mobile phone, with it you will be able to enjoy web browsing, messaging, music and more with its high-capacity battery and expandable memory up to 32GB.

Features

- MIL SPEC 810G: 1.8M (6ft) Drop onto cement; Operating temperature: -25 C (-13 F) to 55 C (131 F)
- IP 67: Waterproof up to 1M (3ft) for 30 minutes; Dust resistant
- Micro SD card support up to 32GB
- Bluetooth V2.0 +EDR/A2DP (FTP, OPP, DUN, SPP, A2DP, AVRCP)
- FM radio
- 3 MP camera, contains video camera
- Dual noise canceling microphones
- Predictive text
- GPS
- Browser
- Flashlight
- HAC certified (AWS model only)
- TTY capable
- High audio quality loud speaker
- Can be used with drop-in charger*
- Memory management via USB

* Drop-in charger sold separately

Getting to Know Your Mobile Phone



- | | |
|-------------------------------|----------------------|
| 1. Earpiece | 15. Rear Camera |
| 2. Headset Jack | 16. Flash |
| 3. Display | 17. Speaker |
| 4. Messaging/Menu Scroll Left | 18. Rear Cover |
| 5. Media Player/Menu Scroll | 19. Rear Cover Latch |
| 6. User Profiles/Select | 20. Volume Down |
| 7. Alarm/Menu Scroll Down | 21. Flashlight |
| 8. Camera/Menu Scroll Right | 22. Volume Up |
| 9. Names/Right Select | |
| 10. End Call/Power | |
| 11. Number Pad | |
| 12. Send/Answer | |
| 13. Menu/Left Select | |
| 14. USB Port | |

Key Functions

End Call/Power key	Press to turn on your mobile phone or end a call.
Send/Answer key	Press to make or answer a call.
Menu/Left Select key	Press to access menu options.
Names/Right Select key	Press to add or search contacts or go back to the previous screen.
User Profiles/Select key	Press to access user profile volume settings or to select applications and options.
Side Flashlight key	Press and hold until the flashlight is on or off.

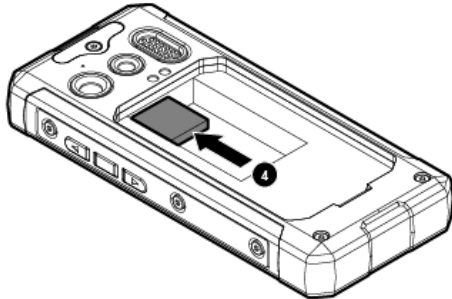
Getting Started with Your Mobile Phone

Inserting the SIM and Battery

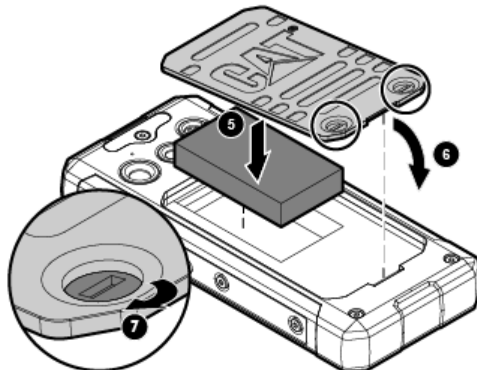
1. Loosen the captive screws.
2. Remove the back cover.
3. Remove the battery.



4. Insert the SIM card with contacts facing downward into the available slot.



5. Insert the battery.
6. Replace the back cover. Align the prongs at the top with square holes inside the case, then press down to secure as shown.
7. Tighten the captive screws.



Charging the Battery

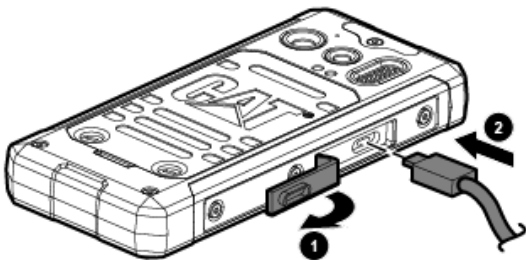
Before using the device for the first time, or when it has not been used for an extended period, the battery must be charged.

Warning: Use only Cat® approved chargers and cables. Unapproved equipment may cause damage to the device or cause batteries to explode.

If the battery is completely discharged, it is not possible to switch on the device when the power is first connected. Allow an exhausted battery to charge for at least five minutes before attempting to switch on the device.

1. Open the USB cover and plug in the USB cable.

Note: Be aware of the plugs orientation. Damage can occur when the connector the is inserted the wrong way, which is not covered by the warranty.



2. Insert the other end of the cable into the wall charger.
3. Insert the power cord on the wall charger into an electrical socket.

Note: Never remove the battery during charging as doing so may cause damage to the device.

4. When charging is complete, remove the connector from the device and then remove the wall charger. Ensure that the USB port is correctly sealed, to protect the product from moisture.

Important Information About the Battery


Caution: There is a risk of explosion if the battery is replaced by an incorrect type. Dispose of used batteries according to the instructions.

- If the battery has not been used for a long period of time, you may not be able to power on your mobile phone immediately after you begin charging the battery. Allow the battery to charge for a few minutes with the phone powered off before attempting to power on the phone. The on-screen charge animation may not be displayed during this period.
- Over time, the battery will not hold a charge for as long as it did when it was new. When the battery life becomes noticeably shorter than usual after being charged properly, replace the battery with a new one of the same type.
- Using data services increases demand on the battery and will reduce the length of time it can hold a charge.
- The time required to charge the battery depends on the environmental temperature

and the age of the battery.

- When the battery power level is low, the phone plays an alert and displays a message.

Powering On or Off Your Mobile Phone

- To power on the phone, press and hold the **End Call/Power** key  for 2-3 seconds.
- To power off the phone, press and hold the **End Call/Power** key.

Note: If personal identification number (PIN) protection is enabled on your SIM card, you must enter your PIN before using the mobile phone.

- When the battery power is almost exhausted, your phone will power off automatically.

Protecting Your Mobile Phone

Enabling Your SIM Card PIN

1. Press **Menu > Settings > Security settings > SIM security**.
2. Select **PIN lock > Turn on**.
3. Set a pin for your SIM card.
4. You will need this PIN to access your SIM card in the future.

Note: You can dial emergency numbers any time from your mobile phone.

Locking the Phone

Your phone will have an automatic keypad lock that, by default, will set when the phone has been idle for 30 seconds. To unlock the keypad, press **Unlock > ***.

To keep your data more secure, lock the phone. When the phone is locked, you can still receive messages and calls.

1. Press **Menu > Settings > Security settings > Phone security**.
2. Press **On** and enter your phone password.
The factory default password is 1122. This password can be changed under **Security settings**. If you change your password keep note of the new password created.
3. The phone lock is now active. When restarting the phone you will be prompted to enter your password before accessing the phones features.

Using the Flight Mode

Some locations might require you to turn off your phone's wireless connections. Respect warnings and instructions to power off mobile devices in restricted areas. Rather than powering off your phone, you can set it to **Flight mode**.


1. Press **Menu > Settings > Phone settings > Flight mode**.
2. Select **Flight mode** and press **OK**.
3. Press **Yes** to switch modes.

4. Press **Back** to return to the main screen.

Accessing Applications

1. To access the applications, press **Menu**.
2. Use the **Menu** scroll buttons to highlight the applicable application and press **OK** or **Select**.
3. Select the features listed for each application.

Making and Receiving Calls

1. To make a phone call, dial the number or press **Names** from the main screen:
 - Dial: Enter the number and press **Send/Answer** .
 - Names: Press **Names**, scroll to select a contact name, and press **Send/Answer**.
2. To receive a call, press **Send/Answer**.

Sending Messages

To send messages via text (SMS) or multimedia (MMS), press **Menu > Messaging**.

Getting to Know the Main Screen








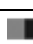






After you sign in, or when you power on the phone, the main screen appears. The main screen is your starting point to access the features on your phone. It displays the date and time and allows you to access applications, user volume profiles, and contact names. You can customize the main screen with different wallpaper and choose the items to display.

Display Layout

Notifications and Status Information









The main screen displays the time, battery status, notification messages, and analog or digital clock. The screen provides access to the **Menu**, **User Profiles**, and **Names**.

Status Icons

	Connected to GPRS mobile network		No SIM card installed
	Connected to a 2G network		Battery is drained
	Connected to a 3G network		Battery is full
	Roaming		Battery is half full
	Mobile network signal strength		Battery is charging
	Searching for a network signal		Bluetooth is on
	No Signal		Connected to Bluetooth device

	Airplane Mode		
---	---------------	--	--

Notification Icons

	New Text or email message		Second incoming call
	Alarm is set		Call on hold
	Incoming call		Location enabled
	Missed call		
	Currently on call		

Wallpapers

You can select system or user-defined wallpapers. When changing the wallpaper, the screen image does not affect all pages, only the idle screen.

1. To change the wallpaper, press **Menu > Settings**.
2. Select **Phone settings > Display > Wallpaper**.
3. Select **System** or **User defined**.
 - System: Scroll and view the images. Select an image to set as the wallpaper, and press **OK**.
 - User defined: The file manager displays the available space. Select **Open** and scroll through the list of items to use as wallpaper, such as photos that you downloaded. Select a photo to set as the wallpaper, and press **OK**.
4. Press **Back** until the main screen appears.

Using the USB Mass Storage

To transfer music and pictures from your PC onto your mobile phone's microSD card, set the microSD card as USB mass storage.

1. Connect your mobile phone to your PC with the USB cable.
2. Select the **Mass storage** option on your device storage.
3. Mass storage folders for Phone and MicroSD card will pop up on your PC screen. You can now transfer files from your PC to your phone's microSD card.

Note: While the USB mass storage function is enabled, some functions might not be available.

There is a Phone Suite PC application available for download via the www.catphones.com website. The link is available under the B100 model support page. It can be used for editing contacts, messaging, file management and calendar entries

Phone

There are several ways to place a phone call. You can dial a number, or select a number in your contacts list or from a text message. When you are on a call, you can either answer incoming calls or send them to your voicemail box. You can also set up conference calls with two additional people if the option is supported by your network.

Making a Call

To make a call, dial a number or select a number from **Names** or **Dialed calls**.

Note: Be careful not to block the microphone with your fingers. The microphone is located between the 0 and # key on the front and by the camera lens on the back of the phone.

Making a Call with the Dialer

1. From the main screen, use the keypad to dial the number.
2. Press **Send/Answer**.
3. When the call is complete, press **End Call/Power** to hang up.

Making a Call from Names

1. From the main screen, press **Names**.
2. From the **Phonebook**, select the appropriate contact to call and press **Send/Answer**.
3. When the call is complete, press **End Call/Power** to hang up.

Making a Call from Dialed calls

1. From the main screen, press **Send/Answer**. The **Dialed calls** tab appears.
2. You can scroll to the left or right to view **All calls**, **Missed calls**, or **Received calls** tabs.
3. From the appropriate tab, select the number to call and press **Send/Answer**.
4. When the call is complete, press **End Call/Power** to hang up.

Answering or Rejecting a Call

To answer a phone call, press **Send/Answer** key. The screen displays the caller ID.

To reject a phone call, press **Reject**.

Other Operations During a Call

Making a Conference Call

If you receive a new call while you are already on a call, you can connect the second call to the call you are on. This feature is known as conference calling. You can also set up a conference call with multiple callers.

Note: Contact your network operator to learn whether it supports conference calls and how many participants you can add.

1. To initiate a conference call, dial the number of the first person to be on the call.

2. While on the call enter the phone number of the person you want to join the conversation or find them using **Options > Phonebook** and press send. The first call is automatically placed on hold.
3. Once you have connected to the person you have added, press **Options > Conference**.
4. To add more people, repeat steps 2 and 3.
5. To split the conference back to separate conversations, press **Options > Split**.
6. To end the conference call and disconnect everyone, press **End call**.

Switching Between Calls

If you receive a new call while you are already on a call, you can switch between the two calls.

1. While you are on two calls, press the **Send** key.
2. The current call is placed on hold and you are connected to the other call.
3. To switch back to your original call, press **Options > Swap**.

Recording a Call

While in a call, press **Options > Sound recorder**. The tool will automatically start recording your call. Press **Stop** to end the recording.

Saved recordings can be found under **Menu > Multimedia > Sound recorder**.

Using the Call Center

The Call center contains the history of calls that you have dialed, received, or missed. You can use the history to quickly find a recently called number or add an incoming number to your contact list.

The Call center also contains advanced call settings.

Viewing Call History

1. Press **Menu > Call center > Call history**.
The Dialed calls tab appears.
2. Scroll to the left or right to view the **All calls**, **Missed calls**, or **Received calls** tabs.
3. Press **Options > Advanced**.
4. Advanced options allow you to view call timers, call cost, text message counter, and GPRS counter.

Changing Call Settings

1. Press **Menu > Call center > Call settings > Advanced settings**.
A list of settings appears.

Change any settings as needed. Settings include: blacklist, auto redial, call time display and reminder, auto quick end, reject by SMS, connect notice, and answer mode.

Adding a Contact from the Call Center

1. From the main screen, press **Send/Answer**.

This is a shortcut to access the **Dialed calls** tab.

2. If necessary, scroll to the left or right to view the **All calls**, **Missed calls**, or **Received calls** tabs.
3. From the appropriate tab, select the number to add to contacts and press **Options > Save to Phonebook**.

Clearing the Call Log

1. From the main screen, press **Send/Answer**.
The **Dialed calls** tab appears.
2. If necessary, scroll to the left or right to view the **All calls**, **Missed calls**, or **Received calls** tabs.
3. Press **Options > Delete** or **Delete all** and press **Yes** to confirm.

Phonebook/Names

The Phonebook application enables you to save and manage information such as phone numbers and addresses of your contacts. After you save the contact information on your mobile phone, it provides easy access to people with whom you want to communicate.

Adding a New Contact

1. Press **Menu > Phonebook > Add new contact > Center Select key to save.**
Alternatively, press **Names > Add new contact > Center Select key to save.**
2. Enter the applicable information. You must press the keys for the letters. For example, press the **2** key once for **a**, twice for **b**, and three times for **c**.
3. Press **Options > Save.**
4. To add more detail to the contact, press **Options > Add detail.**
5. Add any details, including mobile, home, office, and fax numbers; additional email address; company name and job title; caller video; birthday; URL; address; and notes.

Viewing and Editing a Contact

1. Press **Names** and select the applicable contact.
2. Press **Options > View.**
3. To edit the contact details, press **Options > Edit.**
4. Make any changes. Then press **Select > Save** and press **Yes** to confirm.

Deleting a Contact

1. Press **Names** and select the contact to delete.
2. Press **Options > Delete** and press **Yes** to confirm.

Phonebook Settings

To edit your phonebook settings, go to **Menu > Phonebook > Options > Phonebook Settings.**

Here you can edit your storage preferences and speed dial selections as well as view your phone number, memory status. You can also delete all contacts from this menu.

Messaging

The Messaging application allows you to exchange text messages (SMS) and multimedia messages (MMS) with anyone using an SMS or MMS-capable phone. With the Email application, you can read and send emails.

Creating and Sending a Text Message (SMS)

1. From the main screen, press **Menu > Messaging > Write message**.
2. Enter the message you would like to send. You must press the keys for the letters. For example, press the **2** key once for **a**, twice for **b**, and three times for **c**.
3. When you have finished entering the message, press **Options > Send to** and select **Enter recipient** to input the number of your contact. You can also choose **Add from phonebook** to select the recipient from your contact list. If you wish to add multiple recipients, scroll back up to **Enter recipient** or **Add from phonebook**.
4. When your selected recipients have been entered, press the **center Select button** to send.

Alternatively, you can find your recipient in the phonebook, press **Options > Send message**.

Creating and Sending a Multimedia Message (MMS)

Multimedia Message format can include images, videos, audio, or business cards with your own or a contacts information.

1. While typing an SMS, press **Options > Switch to MMS**.
2. Enter the applicable information. You must press the keys for the letters. For example, press the **2** key once for **a**, twice for **b**, and three times for **c**.
3. Select which recipient you would like to send the message to from your phonebook.

Opening and Viewing a Multimedia Message

When a message is received, from the main screen press **Menu > Messaging > Inbox** and select the message you would like to view.

Replying to a Message

1. While viewing a message, press **Options > Reply**.
2. Enter the applicable information. You must press the keys for the letters. For example, press the **2** key once for **a**, twice for **b**, and three times for **c**.
3. When you have finished entering the message, press the **center Select button** to send it.

Customizing the Message Settings

1. From the main screen, press **Menu > Messaging > Message settings**.

2. In this screen you will be able to edit settings for Text, multimedia, and service messages.

Email

Menu > Messaging > Email

Your mobile phone supports POP3, IMAP used by most email services.

Creating an Initial Email Account

Before using the Email application for the first time, you must configure your email account. You will need to know the email address you want the phone to use (emailuser@gmail.com) and the password associated with that account.

1. **Menu > Messaging > Email.**
2. Select a service and follow the prompts.

Viewing an Email Message

1. **Menu > Messaging > Email >Inbox.**
2. Press **Options > Retrieve Email.**
3. Select the email message to view.

Creating and Sending an Email Message

1. **Menu > Messaging > Email > Options> Write Email.**
2. To enter the recipient's email address, select **To > Edit > Enter recipient** or **Add from Phonebook**. When the recipient has been found, press **Back** to return to your email draft
3. Enter the message subject (Optional).
4. To write your message, you must press the keys for the letters. For example, press the **2** key once for **a**, twice for **b**, and three times for **c**.
5. When you have the message you would like to send ready, press **Options > Send**.

Replying to an Email Message

1. While viewing an email, press **Options > Reply**.
2. Enter the message you would like to send.
3. Press **Options > Send**.

Deleting an Email Account

1. **Options > Email accounts.**
2. Select the account you would like to remove and press **Options > Delete > Yes**.
3. A notification will appear telling you the account has been deleted.

Changing Email Account Settings

You can change a number of settings for an account, including how often you check for emails, how you are notified of a new mail, and details about the servers the account uses to send and receive mails.

Note: Your account's incoming and outgoing settings depend on the kind of email service for your account: POP3, IMAP, or Exchange. You can enter the necessary details manually, although you will typically need to contact your email service provider to determine the right settings for the account.

Getting Connected

GPRS/3G

Your mobile phone will be automatically configured to use your wireless service provider's GPRS/3G service (if available) when you turn on the phone for the first time.

Checking the Network Connection

Your mobile phone will automatically read the access point of the SIM card. For this reason, do not change the parameters of the access point; otherwise, you might not be able to access network sources.

Browser

Your mobile phone comes with a browser to access the Internet. It may provide one of two browser types, the standard browser or the Obigo Browser. Steps for navigating each type are listed below.

Opera Browser

Opening a Web Page

1. Press **Menu** > **Browser**.
A message states "Using data may incur additional charges." Select **Yes** to continue or **No** to cancel.
Charges are dependent on your ISP.
2. To open a web page, press **Edit**, enter the web page address in the URL field, and press **Go**.
As you enter the address, matching web page addresses appear on the screen. If you see the address you want, select it and go directly to that web page.

Setting a Home Page

1. While in the browser, select **Menu**.
2. Under the dropdown menu that appears, select **Settings** > **Advanced** > **Homepage**.
3. Enter the domain you would like to set as your homepage.
4. Press **Done** > **Save**.

Managing Bookmarks

You can store as many bookmarks as needed on your mobile phone.

Adding a Bookmark

1. While in the browser, select **Menu**
2. Under the dropdown menu that appears, select **Bookmarks > Add**.
3. Type a title you would like to recognize the webpage by.
4. Enter the address and press **Add**.

Opening a Bookmark

1. While in the browser, select **Menu**.
2. Under the dropdown menu that appears, select **Bookmarks**.
3. Find the bookmark you would like to view and press **Open**.

Customizing the Browser Settings

1. While in the browser, select **Menu**.
2. Under the dropdown menu, select **Settings**.
3. From here, various changes can be made, such as what zoom setting you would like to be at.
4. More options can be found under **Advanced**.

Managing a Web Page

To navigate a web page, use the **directional arrows** to move your cursor. When hovering over the area you would like to zoom in on or the link you would like to click, press the **center Select button**. Use the keypad to type out any web addresses or search terms. The **Menu** button lets you access the address bar, bookmarks, settings, and various other navigation tools.

Obigo Browser

Internet service

Your mobile comes with a browser to access the internet.

Note: To use the browser you must have a data service activated. Charges are dependent on your Service Provider.

1. Press **Menu > Internet service**

From this menu you have a number of options listed, enabling access to the internet via pre-defined bookmarks or by entering a web address, save bookmarks as well as storing pages which can be viewed offline.

Homepage

1. Press **Menu > Internet service > Homepage**

The homepage has a **Default** and **User defined** setting, which can be amended as per your choice.

2. While in **Internet service**, select **Settings > Homepage > User defined >** (Type in the required web address) **> Options > Done**

Managing a Web Page

To navigate a web page, use the directional arrows to move your cursor. When hovering over the area you would like to click or select, press the **center select button**. Use the keypad to type out any web addresses or search terms. The options menu will give you a number of navigational tools as well as saving the web page for future use.

Managing Bookmarks

You can store bookmarks on your mobile phone

Adding a Bookmark

1. While in Internet service, select **Bookmarks > Options > Add bookmark**
2. Type a title you would like to recognize the webpage by **> Options > Done**
3. Enter the web address **> Options > Done**
4. Press **Done > Select "Yes" to "Save bookmark"**

Search or input URL

Search web content by entering either a preferred URL or keywords

Last web address

Go back to the last visited URL

Recent pages

To revisit pages in the URL history

Stored pages

Webpages that have been saved to view offline

Storing a web page to view offline

1. View the desired URL
2. Once the page has completed loading, select **Options**
3. Select **Advanced options**
4. Select **Store offline**
5. Type a **title** you would like to recognize the stored page by
6. Select **Options > Done > Select "Yes" to "Save"**

Settings

From the Settings menu various changes can be made, such as defining your preferences, or your browser options and by restoring your browser settings, the preferences will reset back to default.

Bluetooth

Your mobile phone includes Bluetooth connectivity, which allows you to create a wireless connection with other Bluetooth devices so that you can share files with others, talk hands-free with a Bluetooth headset, or even transfer photos on your phone to your PC.

If you are using Bluetooth, remember to stay within 10 meters (33 feet) of your Bluetooth devices. Be aware that obstacles like walls or other electronic equipment may interfere with your Bluetooth connection.

Turning On Bluetooth

1. Press **Menu > Settings > Connectivity > Bluetooth**.
2. Press **Select** to set the Bluetooth power to **On**.
The Bluetooth icon appears at the top of the screen.
3. To set the visibility to **On** and make your phone visible to other Bluetooth devices, press **Select**.

The Bluetooth options allow you to search for other Bluetooth devices, customize your phone Bluetooth name, and use advanced features.

Pairing and Connecting a Bluetooth Device

Your mobile Bluetooth lets you do the following:

- Hands Free Profile (HFP): allows you to use a hands-free Bluetooth device.
- Headset Profile (HSP): allows you to use a mono Bluetooth headset.
- Object Push Profile (OPP): allows you to transfer files through Bluetooth.
- Advanced Audio Distribution Profile (A2DP): allows you to use a stereo Bluetooth headset.
- A/V Remote Control Profile (AVRCP): allows you to control what plays through the Bluetooth headset remotely.

Before you use Bluetooth, you need to pair your mobile phone with another Bluetooth device as follows:

1. Ensure that the Bluetooth function on your mobile phone is enabled.
2. Go to **Menu > Settings > Connectivity > Search audio** device. Your mobile phone will then scan for Bluetooth devices in range.
3. Select the device you want to pair with your mobile phone.
4. Enter the pairing password to complete the connection.

Note: After pairing is complete, connecting to that Bluetooth device again does not require the password.

Sending Files via Bluetooth

With Bluetooth, you can share pictures, videos, or music files with your family and friends.

To send files via Bluetooth:

1. Press **Menu > File Manager > Options > Open**.
2. Select a folder (for example, Photos), and press **Options > Open**.
3. Select a photo to send, and press **Options > Send > Via Bluetooth**.
4. Select a paired device.

Disconnecting or Unpairing a Bluetooth Device

1. Press **Menu > Settings > Connectivity > Bluetooth > My device**.
2. Scroll to active connection.
3. Select **Option > Disconnect**.

Multimedia

In addition to being a communication device and personal assistant, your mobile phone also provides you with a multitude of entertainment possibilities. You can take photos, create videos and audio clips, and download and listen to music.

Taking Photos and Recording Videos

The camera is a combination of camera and camcorder that you can use to shoot and share pictures and videos.

Taking a Photo

1. Press **Menu > Camera**.
2. Compose your photo within the photo capture screen.
3. Press the **center Select key** to take your photo.
4. Press the **return arrow right soft key** to close the camera.
5. **End/Power down key** will exit the camera application.

Viewing Your Photos

1. Press **Menu > Multimedia > Image viewer**.
Your photos appear as thumbnails.
2. Select a photo and press **Options** to choose various tasks, including view, send, and delete photos.

Shooting a Video

1. Press **Menu > Camera**.
2. Press down on the directional pad to change to video recorder.
3. Ready your video within the capture screen.
4. Press the **center Select key** to begin the recording.
5. To end the recording, press the stop button.

6. The video will be automatically saved in your media files.

Viewing Your Videos

1. To view your video immediately after recording, select the menu button on the left of the screen.
2. Scroll down to select play.
3. Alternatively, go to **Menu > File Manager > Videos**.

Enjoying Music

You can transfer music files from your PC to your microSD card so you can listen to music on your mobile phone.

Copying Music to the Micro SD Card

1. Insert your microSD card.
2. Connect the phone to your computer with a USB cable.
3. On your computer, navigate to the USB drive and open it.
4. Create a folder in the root directory of the microSD card (for example, Music).
5. Copy the music from your computer to the folder you created.
6. After copying the music, eject the drive as required by your computer operating system to safely remove the mobile phone.
7. Disconnect the mobile phone from the computer.

Playing Music

1. Go to **Menu > Multimedia > Media player > My playlists**.
2. Select the song you would like to play and press the **center Select** key.

Tip: When you are listening to music, press **Back** to use another application. Your music continues to play. To return to the music controls,

Adding Music to a Playlist

1. Go to **Menu > Multimedia > Media Player > My Playlists**.
2. Press **Options**, choose **New**.
3. Enter preferred name for the new playlist, press **Options > Done**.
4. Press **Add**, choose your storage device and follow the directory path to locate your audio files.
5. Press **OK** to add music to the playlist.

Listening to FM Radio

FM Radio allows you to listen to FM radio stations on your mobile phone. Since FM Radio uses the provided wired stereo headset as the antenna, connect the headset first to the audio jack of your phone before opening the application.

Playing the FM Radio

1. Be sure that headphones are plugged into the audio jack.
2. Press **Menu > Multimedia > FM radio**.
3. The FM Radio automatically scans for available FM channels, saves them as presets, and plays the first FM channel found.
4. To control the volume, press the **Volume Up** and **Volume Down** keys on the side of the phone.
5. To tune the radio, press the **Left** and **Right** scroll keys.
6. To turn the radio off and on, press the **Up** and **Down** scroll keys.

Recording the FM Radio

1. To record the radio, press **Options > Record**.
The radio begins recording.
2. Press **Pause**, **Continue**, or **Stop**.
3. Once the recording is stopped you will be prompted to save by pressing the **center Select key**.
4. Recorded sessions can be found under **Menu > Multimedia > Sound Recorder**.

Fun and Games

Options:

- Java
- Google Maps
- Java settings

Using Maps

Maps lets you find your current location, view real-time traffic conditions (depending on availability in your location), and get detailed directions to various destinations on a satellite, traffic, or other kind of map.

Enabling Location

Before you open Maps to find your location or search for places of interest, you must enable the "location source" receiver.

Go to **Menu > Settings > GPS Settings > Turn Receiver on > Yes** for confirmation.

Opening Maps

Maps must be downloaded from the browser before you can access the application.

1. Go to **Fun & Games > Google Maps**.
2. You will be redirected to the browser and prompted to download the application.

3. Confirm **Yes**.
4. After Maps has been downloaded, it can be accessed in **Fun & Games**.

Searching for Places of Interest

1. While viewing a map, press **Menu > Search Map**.
2. Enter the place you want to search, then press the **center Select button** and confirm your selection.

Note: You can also select one option from the suggestions list.

3. Your search results will then be displayed. Press the **center Select button** to display information about your results.

Getting Directions

1. While viewing a map, without a destination chosen, press **Menu > Get Directions**.
2. Enter the starting point in the first text box, and then enter your destination in the second text box.
3. Choose the tab for car, public transit, or walking directions.
4. Select **Show directions**.
5. A list will appear with the instructions for how to reach your destination.

Note: To view a step on the map, highlight the desired step and select it with the **center Select key**.

6. When you finish viewing or following the directions, press **Back** to return to the map.
7. **Clear Map** to reset the map.

Using Other Applications

Using the Calendar

Use the calendar to create and manage events, meetings, and appointments.

Creating a Calendar Event

1. Press **Menu > Organizer > Calendar**.
2. Use the scroll keys to select a date.
3. Press **Options > Add event**.
4. Enter the event details, such as type of event (such as a reminder or meeting), start and end times, subject, frequency, location, and any details.
5. Press **OK** and then **Yes** to confirm.

Setting the Alarm

You can set a new alarm or modify an existing alarm.

1. Press **Menu > Organizer > Alarm**.
2. Use the scroll keys to select a time and press **Edit**.
3. Use the **left/right scroll keys** to set the alarm On.
4. Enter the alarm time in 4-digit format. To toggle between AM and PM, press the **Select** key while the time is highlighted.
5. Use the **scroll keys** to set the alarm details, such as frequency, alarm tone, snooze minutes, and alert type.
6. Press **Done** and then **Yes** to save. The time appears in the list of alarm times. An alarm icon appears at the top of the screen.

Using the Calculator

Use the calculator to solve simple arithmetic problems or use its advanced operators to solve more complex equations.

1. Press **Menu > Organizer > Calculator**.
2. Use the **scroll keys** to add, subtract, multiply, or divide. For example:
 - Use the keypad to enter "100".
 - Scroll to select the multiply sign (X).
 - Enter "5".
 - Press **OK**.The answer "= 500" appears.

Using the File Manager

File Manager allows you to organize, edit, and delete files and folders.

Creating a Folder

1. Press **Menu > File Manager**.
The phone displays the total space and the free space.
2. Press **Options > Open**.
The phone displays a list of folders, such as My Music and Photos.
3. Press **Options > New folder**.
4. Use the keypad to enter the name of the new folder and press **Select**.
The new folder appears in the folder list.

Moving or Copying Files

1. Press **Menu > File Manager**.
2. Press **Options > Open**.
3. From the folder list, open the source folder that contains a file you want to copy.
4. Press **Options > Copy > Select**.
“Copy to” appears at the top of the screen.
5. Press **Options > Open > [destination folder] > Select**.
The file is copied to the destination folder.
6. Open the destination folder to ensure that the file copied.

Deleting Files

1. Press **Menu > File Manager**.
2. Press **Options > Open**.
The phone displays a list of folders, such as My Music and Photos.
3. Open the source folder that contains the file you want to delete.
4. Press **Options > Delete**.
5. Press **Yes** to confirm.
The file is deleted from the folder.

Managing Your Mobile Phone

Use **Menu > Settings** to configure your phone. Settings include options for phone, GPS, security, connectivity, sound effects, and restoring factory settings.

Setting the Date and Time

When you first start the phone, you are asked if you want the time and date to update automatically using the time provided by the network.

Note: When the time provided by the network is automatically used, you cannot set the date, time, and time zone.

1. Press **Menu > Settings > Phone settings > Time and date > Set time/date**.
2. Enter the time in HH:MM (hour:minutes) format. Press **Select** to toggle between AM and PM.
3. Enter the date in DD.MM.YYYY (day.month.year) format.
4. Use the **scroll keys** to toggle daylight savings off and on.
5. Press **OK**.

The **Time and date** menu also allows you to enter your home city, change the time and date format, and update with your time zone.

If you want the phone to auto-update the time, press **Phone settings > Auto update time** and use the **scroll keys** to toggle off and on.

Setting the Display

Adjusting the Screen Brightness and Display Time

1. Press **Menu > Settings > Phone settings > Misc. settings > LCD backlight**.
2. Use the **scroll keys** to adjust the brightness lighter or darker.
3. Use the **scroll keys** to adjust the time in seconds before the screen turns off when it is idle.
4. Press **OK**.

Setting Phone Ringtone

To adjust phone volume and ringtone, press **Menu > User Profiles**.

Alternatively, press the **Select** key from the main screen.

The User profiles menu allows you to adjust or customize general phone settings, create and activate your own style of settings, and adjust the volume for silent, meeting, or outdoor use.

Turning On Silent Mode

1. From the main screen, press **Select**.
2. Under **User profiles**, press **Silent > Options > Activate**.
The phone remains in Silent mode until you select and activate another setting.

Customizing the Ringtone Types and Volume

Under **User profiles**, you can customize settings such as the alert type (ring/vibrate), ring type, incoming call ringtone, ringtone volume, message volume, keytone volume, and power on and off tones. As you scroll down through the settings, use the **left/right scroll keys** to increase/decrease the volume for each setting.

For example, under **User profiles > General > Options > Customize**, select **Ringtone volume** and press the **left/right scroll keys** to decrease/increase the volume. Press **Options to Change** or **Save**.

Setting Phone Services

1. Press **Menu > Services**.

Setting up the Default Network

1. On the **Settings** screen, select **Network Settings**.
2. Here you can change your **Network Selection** and **Service selection**, view your **Network information**, and change **GPRS Connection** settings.

Note: Check the availability of service and plan rates of data connections with your network service provider.

Ways to Free Up Your Mobile Phone Memory

- Move files and email attachments to the microSD card.
- In the Browser, clear all temporary Internet files and Browser history information.
- Uninstall the downloaded programs that you no longer use (i.e. Google Maps).
- Reset your mobile phone.

Resetting Your Mobile Phone

Restoring Factory Data

If you reset your phone to the settings that were configured at the factory, all of your personal data from internal phone storage, including information about your Google Account, any other accounts, your system and application settings, and any downloaded applications will be erased. Resetting the phone does not erase any system software updates that you downloaded or any files on your microSD card, such as music or photos.

1. Press **Menu > Settings > Restore factory settings**.
2. You will be asked to "Input phone password". The factory default password is 1122. If you have changed the default password, enter your chosen password.
3. Press **OK**. A message will read, "Restore settings and restart the phone?" Press **Yes** to continue or **No** to cancel.

Specifications

Item	Specifications*
Operating System	Proprietary
Processor	MTK 6276W
Memory	128MB/64MB Micro SD card support up to 32G
Network	2G GSM/GPRS/EDGE 3G WCDMA (Max data rate: 384 kbps)
Band ***	GSM/GPRS/EDGE Quad-Band 850/900/1800/1900 MHz EU version: WCDMA Dual-Band 900/2100MHz (Europe/Africa) US Version: WCDMA Tri-Band 850/AWS (1700/2100)/1900 (USA, Canada, Latin America) <i>Please check with your reseller to verify which version you have purchased.</i>
Display	2.2" QVGA 240 X 320 TFT
Camera	3 MP Video player and Capture
Connectivity	Bluetooth V2.0 +EDR/A2DP 3.5mm headset jack Micro USB2.0
Battery	1150mAh (removable) Talk time up to 10 hours Standby up to 23 days
Others	Bluetooth, GPS

Extras	FM radio Loud hands-free speakerphone
Dimensions	123 x 56 x 17.5mm
Weight	136 g
MIL SPEC 810G and IP67 Certified	Impact resistant up to 1.8M Waterproof up to 1m for 30 mins (battery door must be correctly fitted and all ports must be sealed securely) Operational between -25°C (-13 F) to 55°C (131 F) Resistant to dust

* Design and specifications are subject to change without prior notice.

Appendix

Warnings and Precautions

This section contains important information pertaining to the operating instructions of your device. It also contains information about how to use the device safely. Read this information carefully before using your device.

Waterproof Casing

USB and Headphone Port covers must be securely in place, and the rear cover properly fitted and locked to ensure the device will meet this level of protection.

Electronic Device

Power off your device if using the device is prohibited. Do not use the device when using the device causes danger or interference with electronic devices.

Medical Device

Follow rules and regulations set forth by hospitals and health care facilities. Do not use your device when using the device is prohibited.

Pacemaker manufacturers recommend that a minimum distance of 15 cm be maintained between a device and a pacemaker to prevent potential interference with the pacemaker. If you are using a pacemaker, use the device on the opposite side of the pacemaker and do not carry the device in your front pocket.

Potentially Explosive Atmosphere

Power off your device in any area with a potentially explosive atmosphere, and comply with all signs and instructions. Areas that may have potentially explosive atmospheres include the areas where you would normally be advised to turn off your vehicle engine. Triggering of sparks in such areas could cause an explosion or a fire, resulting in bodily injuries or even deaths. Do not power on your device at refueling points such as service stations. Comply with restrictions on the use of radio equipment in fuel depots, storage, and distribution areas, and chemical plants. In addition, adhere to restrictions in areas where blasting operations are in progress. Before using the device, watch out for areas that have potentially explosive atmospheres that are often, but not always, clearly marked. Such locations include areas below the deck on boats, chemical transfer or storage facilities, and areas where the air contains chemicals or particles such as grain, dust, or metal powders. Ask the manufacturers of vehicles using liquefied petroleum gas (such as propane or butane) whether this device can be safely used in their vicinity.

Traffic Security

Observe local laws and regulations while using the device. In addition, if using the device while driving a vehicle, comply with the following guidelines:

Concentrate on driving. Your first responsibility is to drive safely.

Do not talk on the device while driving. Use hands-free accessories.

When you have to make or answer a call, park the vehicle at the road side before using your device.

RF signals may affect electronic systems of motor vehicles. For more information, consult the vehicle manufacturer.

In a motor vehicle, do not place the device over the air bag or in the air bag deployment area.

Otherwise, the device may hurt you owing to the strong force when the air bag inflates.

Do not use your device while flying in an aircraft. Power off your device before boarding an aircraft. Using wireless devices in an aircraft may cause danger to the operation of the aircraft and disrupt the wireless telephone network. It may also be considered illegal.

Operating Environment

Do not use or charge the device in dusty, damp, and dirty places or places with magnetic fields.

Otherwise, it may result in a malfunction of the circuit.

The device complies with the RF specifications when the device is used near your ear or at a distance of 1.5 cm from your body. Ensure that the device accessories such as a device case and a device holster are not composed of metal components. Keep your device 1.5 cm away from your body to meet the requirement earlier mentioned.

On a stormy day with thunder, do not use your device when it is being charged, to prevent any danger caused by lightning.

When you are on a call, do not touch the antenna. Touching the antenna affects the call quality and results in increase in power consumption. As a result, the talk time and the standby time are reduced.

While using the device, observe the local laws and regulations, and respect others' privacy and legal rights.

Keep the ambient temperature between 0°C and 40°C while the device is being charged. Keep the ambient temperature between -10°C to 55°C for using the device powered by a battery.

Safety of Children

Comply with all precautions with regard to children's safety. Letting a child play with your device or its accessories, which may include parts that can be detached from the device, may be dangerous, as it may present a choking hazard. Ensure that small children are kept away from the device and accessories.

Accessories

Choose only batteries, chargers, and accessories approved for use with this model by the device manufacturer. The use of any other type of battery, charger, or accessory may invalidate any warranty for the device, may be in violation of local rules or laws, and may be dangerous. Please contact your dealer for information about the availability of approved batteries, chargers, and accessories in your area.

Battery and Charger

Unplug the charger from the electrical plug and the device when not in use.

The battery can be charged and discharged hundreds of times before it eventually wears

out. When the standby time and the talk time are shorter than the normal time, replace the battery.

Use the AC power supply defined in the specifications of the charger. An improper power voltage may cause a fire or a malfunction of the charger.

Do not connect two poles of the battery with conductors, such as metal materials, keys, or jewelries. Otherwise, the battery may be short-circuited and may cause injuries and burns on your body.

If battery electrolyte leaks out, ensure that the electrolyte does not touch your skin and eyes. When the electrolyte touches your skin or splashes into your eyes, wash your eyes with clean water immediately and consult a doctor.

If there is a case of battery deformation, color change, or abnormal heating while you charge or store the battery, remove the battery immediately and stop using it. Otherwise, it may lead to battery leakage, overheating, explosion, or fire.

If the power cable is damaged (for example, the cord is exposed or broken), or the plug loosens, stop using the cable at once. Otherwise, it may lead to an electric shock, a short circuit of the charger, or a fire.

Do not dispose of batteries in fire as they may explode. Batteries may also explode if damaged.

Do not modify or remanufacture, attempt to insert foreign objects into the battery, immerse or expose to water or other liquids, expose to fire, explosion or other hazard.

Avoid dropping the device or battery. If the device or battery is dropped, especially on a hard surface, and the user suspects damage, take it to a qualified service center for inspection. Improper battery use may result in a fire, explosion or other hazard.

Promptly dispose of used batteries in accordance with local regulations.

The device should only be connected to products that bear the USB-IF logo or have completed the USB-IF compliance program.

CAUTION – RISK OF EXPLOSION IF BATTERY IS REPLACED BY AN INCORRECT TYPE. DISPOSE OF USED BATTERIES ACCORDING TO THE INSTRUCTIONS.

Cleaning and Maintenance

The battery and charger are not water-resistant. Keep them dry. Protect the device, battery, and charger from water or vapor. Do not touch the charger with wet hands. Otherwise, it may lead to a short circuit, a malfunction of the device, and an electric shock to the user.

Do not place your device, battery, and charger in places where they can get damaged because of collision. Otherwise, it may lead to battery leakage, device malfunction, overheating, fire, or explosion.

Do not place magnetic storage media such as magnetic cards and floppy disks near the device.

Radiation from the device may erase the information stored on them.

Do not leave your device, battery, and charger in a place with an extreme high or low temperature. Otherwise, they may not function properly and may lead to a fire or an explosion. When the temperature is lower than 0°C, performance of the battery is affected.

Do not place sharp metal objects such as pins near the earpiece. The earpiece may attract

these objects and hurt you when you are using the device.

Before you clean or maintain the device, power off the device and disconnect it from the charger.

Do not use any chemical detergent, powder, or other chemical agents (such as alcohol and benzene) to clean the device and the charger. Otherwise, parts of the device may be damaged or a fire can be caused. You can clean the device and the charger with a piece of damp and soft antistatic cloth.

Do not dismantle the device or accessories. Otherwise, the warranty on the device and accessories is invalid and the manufacturer is not liable to pay for the damage.

If the device screen is broken by colliding with hard objects, do not touch or try to remove the broken part. In this case, stop using the device immediately, and then contact an authorized service center in time.

Emergency Call

You can use your device for emergency calls in the service area. The connection, however, cannot be guaranteed in all conditions. You should not rely solely on the device for essential communications.

FCC Statement

This mobile phone complies with part 15 of the FCC Rules. Operation is subject to the following two conditions: (1) This device may not cause harmful interference, and (2) this device must accept any interference received, including interference that may cause undesired operation.

This mobile phone has been tested and found to comply with the limits for a Class B digital device, pursuant to Part 15 of the FCC Rules. These limits are designed to provide reasonable protection against harmful interference in a residential installation. This equipment generates, uses and can radiate radio frequency energy and, if not installed and used in accordance with the instructions, may cause harmful interference to radio communications. However, there is no guarantee that interference will not occur in a particular installation. If this equipment does cause harmful interference to radio or television reception, which can be determined by turning the equipment off and on, the user is encouraged to try to correct the interference by one or more of the following measures:

- Reorient or relocate the receiving antenna.
- Increase the separation between the equipment and receiver.
- Connect the equipment into an outlet on a circuit different from that to which the receiver is connected.
- Consult the dealer or an experienced radio/TV technician for help.

FCC Caution: Changes or modifications not expressly approved by the party responsible for compliance could void the user's authority to operate the equipment.

The antenna(s) used for this transmitter must not be co-located or operating in conjunction with any other antenna or transmitter.

NCC

電信管制射頻器材:

第十二條：

經型式認證合格之低功率射頻電機，非經許可，公司、商號或使用者均不得擅自變更頻率、加大功率或變更原設計之特性及功能。

第十四條：

低功率射頻電機之使用不得影響飛航安全及干擾合法通信；經發現有干擾現象時，應立即停用，並改善至無干擾時方得繼續使用。前項合法通信，指依電信法規定作業之無線電通信。低功率射頻電機須忍受合法通信或工業、科學及醫療用電波輻射性電機設備之干擾。

在5.25 ~ 5.35 秊赫頻帶內操作之無線資訊傳輸設備，限於室內使用。

電信終端設備:

電磁波警語標示:

1. 警語內容：「減少電磁波影響，請妥適使用」。

標示方式：必須標示於設備本體適當位置及設備外包裝及使用說明書上。

2. SAR標準值 2.0W/kg；送測產品實測值為0.951W/kg

電信終端設備 + 電信管制射頻器材:

電磁波警語標示:

1. 警語內容：「減少電磁波影響，請妥適使用」。

標示方式：必須標示於設備本體適當位置及設備外包裝及使用說明書上。

2. SAR標準值 2.0W/kg；送測產品實測值為0.951W/kg

第十二條：


經型式認證合格之低功率射頻電機，非經許可，公司、商號或使用者均不得擅自變更頻率、加大功率或變更原設計之特性及功能。

第十四條：

低功率射頻電機之使用不得影響飛航安全及干擾合法通信；經發現有干擾現象時，應立即停用，並改善至無干擾時方得繼續使用。前項合法通信，指依電信法規定作業之無線電通信。低功率射頻電機須忍受合法通信或工業、科學及醫療用電波輻射性電機設備之干擾。

在5.25 ~ 5.35 兆赫頻帶內操作之無線資訊傳輸設備，限於室內使用。

模組警語:

1. 本模組於取得認證後將依規定於模組本體標示審驗合格標籤
2. 系統廠商應於平台上標示「本產品內含射頻模組:  XXXyyyLPDzzzz-x (NCC ID) 」字樣

專業安裝警語(固定式點對點操作)

此器材須經專業安裝並限用於固定式點對點操作。

定位追蹤產品

具備定位追蹤功能，應於設備本體適當位置、外包裝及使用說明書上標示警語：「為維護隱私權，請妥適使用」

RF Exposure Information (SAR)

This device meets the government's requirements for exposure to radio waves.

This device is designed and manufactured not to exceed the emission limits for exposure to radio frequency (RF) energy set by the Federal Communications Commission of the U.S. Government.

The exposure standard for wireless device employs a unit of measurement known as the Specific Absorption Rate, or SAR. The SAR limit set by the FCC is 1.6W/kg. Tests for SAR are conducted using standard operating positions accepted by the FCC with the device transmitting at its highest certified power level in all tested frequency bands. Although the SAR is determined at the highest certified power level, the actual SAR level of the device while operating can be well below the maximum value. This is because the device is designed to operate at multiple power levels so as to use only the power required to reach the network. In general, the closer you are to a wireless base station antenna, the lower the power output.

The highest SAR value for the model device as reported to the FCC when tested for use at the ear is 1.13 W/kg and when worn on the body, as described in this user guide, is .87 W/kg (Body-worn measurements differ among device models, depending upon available accessories and FCC requirements.)

For body worn operation, this device has been tested and meets the FCC RF exposure guidelines for use with an accessory that contains no metal and positions the handset a minimum of 1.5 cm from the body. Use of other accessories may not ensure compliance with FCC RF exposure guidelines. If you do not use a body-worn accessory and are not holding the device at the ear, position the handset a minimum of 1.5 cm from your body when the device is switched on.

The highest reported SAR values under the FCC regulatory for the phone are list below:

Head SAR: 1.13 W/kg

Body SAR: 0.87 W/kg

While there may be differences between the SAR levels of various devices and at various positions, they all meet the government requirement.

The FCC has granted an Equipment Authorization for this model device with all reported SAR levels evaluated as in compliance with the FCC RF exposure guidelines. SAR information on this model device is on file with the FCC and can be found under the Display Grant section of www.fcc.gov/oet/ea/fccid after searching on FCC ID: ZL5B100

To reduce the level of exposure to radiation, please do the following: (i) use the mobile phone in good reception conditions,

(ii) use a hand free kit,

(iii) for pregnant women, please hold the mobile phone far from stomach, (iv) use a mobile phone far from genital parts.

Cat phone User Guide Hearing Aid Compatibility (HAC)

The Cat® B100 (US version) is hearing-aid compatible under the FCC requirements for hearing-aid compatibility (HAC). [B100 HAC Rating: M3/ T3](#)

The FCC hearing aid compatibility rules require that certain phones be tested and rated under the American National Standard Institute (ANSI) C63.19 hearing aid compatibility standards. The ANSI standard for hearing-aid compatibility contains two types of ratings:

- M: For reduced radio-frequency interference to enable acoustic coupling with hearing aids that don't operate in telecoil mode.
- T: For inductive coupling with hearing aids operating in telecoil mode.

These ratings are given on a scale from one to four, where four is the most compatible. A phone is considered hearing-aid compatible under the FCC requirements if it is rated M3 or M4 for acoustic coupling and T3 or T4 for inductive coupling.

Hearing-aid compatibility ratings aren't a guarantee that a particular hearing aid works well with a particular phone. Some hearing aids may work well with phones that do not meet the FCC requirements for Hearing Aid Compatibility. To ensure that a particular hearing aid works well with a particular phone, use them together before purchasing.

Prevention of Hearing Loss

Warning statement requirement under EN 60950-1:A12.

To prevent possible hearing damage, do not listen at high volume levels for long periods.

Using a headset at high volume can damage your hearing. To reduce the risk of damage to hearing, lower the headset volume to a safe and comfortable level.



Note: For France, headphones/earphones for this device are compliant with the sound pressure level requirement laid down in the applicable EN 50332-1: 2000 and/or EN50332-2: 2003 standard as required by French Article L.5232-1.

Afin d'éviter des dommages auditifs éventuels, ne pas écouter à un niveau sonore élevé pendant une longue durée.

L'écoute d'un baladeur musical à forte puissance peut endommager l'oreille de l'utilisateur et entraîner des troubles auditifs (surdité temporaire ou définitive, bourdonnements d'oreille, acouphènes, hyperacousie). Il est donc vivement recommandé de ne pas utiliser le baladeur à plein volume ni plus d'une heure par jour à volume moyen.



A pleine puissance, l'écoute prolongée du baladeur peut endommager l'audition de l'utilisateur.

Background noise, as well as continued exposure to high volume levels, can make sounds seem quieter than they actually are. Turn on the audio and check the volume before inserting anything in your ear.

For the device which tests in accordance to EN60950-1:2006, it is mandatory to perform audio tests for EN50332.

This device has been tested to comply with the Sound Pressure Level requirement laid down in the applicable EN 50332-1 and/or EN 50332-2 standards. Permanent hearing loss may occur if earphones or headphones are used at high volume for prolonged periods of time.

Declaration of Conformity

Complies with the essential requirements of Article 3 of the R&TTE 1999/5/EC Directive, if used for its intended use and that the following standards have been applied:

1. Health (Article 3.1(a) of the R&TTE Directive)

Applied Standard(s):

- EN 50566: 2013
- EN 50360: 2001 / A1: 2012
- EN 62209-1: 2006 / -2: 2010
- EN 62479:2010

2. Safety (Article 3.1(a) of the R&TTE Directive)

Applied Standard(s):

- EN 60950-1:2006 / A11:2009+A1:2010+A12:2011
- EN 50332-1:2000

3. Electromagnetic compatibility (Article 3.1 (b) of the R&TTE Directive)

Applied Standard(s):

- EN 301 489-1 V1.9.2/-3 V1.6.1/-7 V1.3.1/-17 V2.2.1/-24 V1.51.

4. Radio frequency spectrum usage (Article 3.2 of the R&TTE Directive)

Applied Standard(s):

- EN 301 511 V9.0.2
- EN 301 908-1 V6.2.1/ -2 V6.2.1
- EN 300 328 V1.9.1
- EN 300 440-1 V1.6.1/ -2 V1.4.1

CE Mark & NB Identification Number

CETECOM

C€0682

Countries List where the device will be sold to

Austria	AT	Malta	MT
Belgium	BE	Netherlands	NL
Cyprus	CY	Poland	PL
Czech Republic	CZ	Portugal	PT
Denmark	DK	Slovakia	SK
Estonia	EE	Slovenia	SI
Finland	FI	Spain	ES
France	FR	Sweden	SE
Germany	DE	United Kingdom	GB
Greece	GR	Iceland	IS
Hungary	HU	Leichtenstein	LI
Ireland	IE	Norway	NO
Italy	IT	Switzerland	CH
Latvia	LV	Bulgaria	BG
Lithuania	LT	Romania	RO
Luxembourg	LU	Turkey	TR

CE SAR Compliance

This device meets the EU requirements (1999/519/EC) on the limitation of exposure of the general public to electromagnetic fields by way of health protection.

The limits are part of extensive recommendations for the protection of the general public. These recommendations have been developed and checked by independent scientific organizations through regular and thorough evaluations of scientific studies. The unit of measurement for the European Council's recommended limit for mobile devices is the "Specific Absorption Rate" (SAR), and the SAR limit is 2.0 W/ kg averaged over 10 gram of tissue. It meets the requirements of the International Commission on Non-Ionizing Radiation Protection (ICNIRP).

For body worn operation, this device has been tested and meets the ICNIRP exposure guidelines and the European Standard EN 62311 and EN 62209-2, for use with dedicated accessories. Use of other accessories which contain metals may not ensure compliance with ICNIRP exposure guidelines.

SAR is measured with the device at a separation of 1.5 cm to the body, while transmitting at the highest certified output power level in all frequency bands of the mobile device.

The distance of 1.5 cm should be kept between body and device.

The highest reported SAR values under the CE regulatory for the phone are list below:

Head SAR: 0.951 W/kg

Body SAR: 0.562 W/kg

While there may be differences between the SAR levels of various devices and at various positions, they all meet the government requirement.

Disposal and Recycling Information

This symbol on the device (and any included batteries) indicates that they should not be disposed of as normal household garbage. Do not dispose of your device or batteries as unsorted municipal waste. The device (and any batteries) should be handed over to a certified collection point for recycling or proper disposal at the end of their life.

For more detailed information about the recycling of the device or batteries, contact your local city office, the household waste disposal service, or the retail store where you purchased this device.

The disposal of this device is subject to the Waste from Electrical and Electronic Equipment (WEEE) directive of the European Union. The reason for separating WEEE and batteries from other waste is to minimize the potential environmental impacts on human health of any hazardous substances that may be present.

Reduction of Hazardous Substances

This device is compliant with the EU Registration, Evaluation, Authorization and Restriction of Chemicals (REACH) Regulation (Regulation No 1907/2006/EC of the European Parliament and of the Council) and the EU Restriction of Hazardous Substances (RoHS) Directive (Directive

2002/95/EC of the European Parliament and of the Council). For more information about the REACH compliance of the device, visit the Website www.catphones.com/certification. You are recommended to visit the Website regularly for up-to-date information.

EU Regulatory Conformance

Hereby, the manufacturer declares that this device is in compliance with the essential requirements and other relevant provisions of Directive 1999/5/EC.

For the Declaration of Conformity, visit the Web site www.catphones.com0682

Note: Observe the national local regulations in the location where the device is to be used. This device may be restricted for use in some or all member states of the European Union (EU).

Note: This device may be operated in all member states of the EU.

France: Outdoor use limited to 10 mW e.i.r.p. within the band 2454-2483.5 MHz. Italy: For private use, a general authorization is required if WAS/RLAN's are used outside own premises.

For public use, a general authorization is required. Luxembourg: General authorization required for network and service supply.

Norway: This subsection does not apply for the geographical area within a radius of 20 km from the centre of Ny-Ålesund.

V100R001B03_01

Industry Canada Statement

This device complies with Industry Canada license-exempt RSS standard(s). Operation is subject to the following two conditions:

1. This device may not cause interference.
2. This device must accept any interference, including interference that may cause undesired operation of the device.

Le présent appareil est conforme aux CNR d'Industrie Canada applicables aux appareils radio exempts de license. L'exploitation est autorisée aux deux conditions suivantes:

1. L'appareil ne doit pas produire de brouillage.
2. L'utilisateur de l'appareil doit accepter tout brouillage radioélectrique subi, même si le brouillage est susceptible d'en compromettre le fonctionnement.

This class B digital apparatus complies with Canadian ICES-003.

Cet appareil numérique de la classe B est conforme à la norme NMB-003 du Canada.

Radiation Exposure Statement:

The product comply with the Canada portable RF exposure limit set forth for an uncontrolled environment and are safe for intended operation as described in this manual. The further RF exposure reduction can be achieved if the product can be kept as far as possible from the user body or set the device to lower output power if such function is available.

Déclaration d'exposition aux radiations:

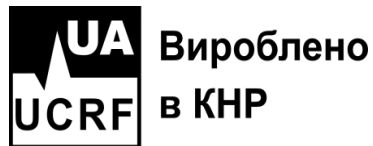
Le produit est conforme aux limites d'exposition pour les appareils portables RF pour les Etats-Unis et le Canada établies pour un environnement non contrôlé.

Le produit est sûr pour un fonctionnement tel que décrit dans ce manuel. La réduction aux expositions RF peut être augmentée si l'appareil peut être conserve aussi loin que possible du corps de l'utilisateur ou que le dispositif est réglé sur la puissance de sortie la plus faible si

une telle fonction est disponible.

Certification Logos

C E0682



00 00

